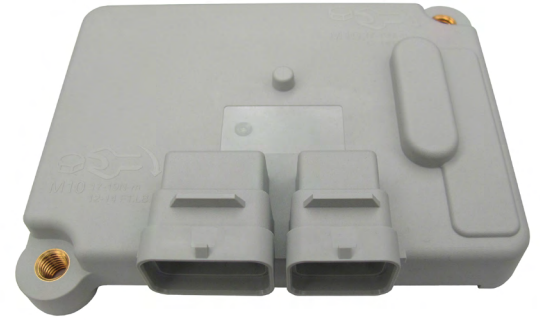


CM2723 12V

Controller Module

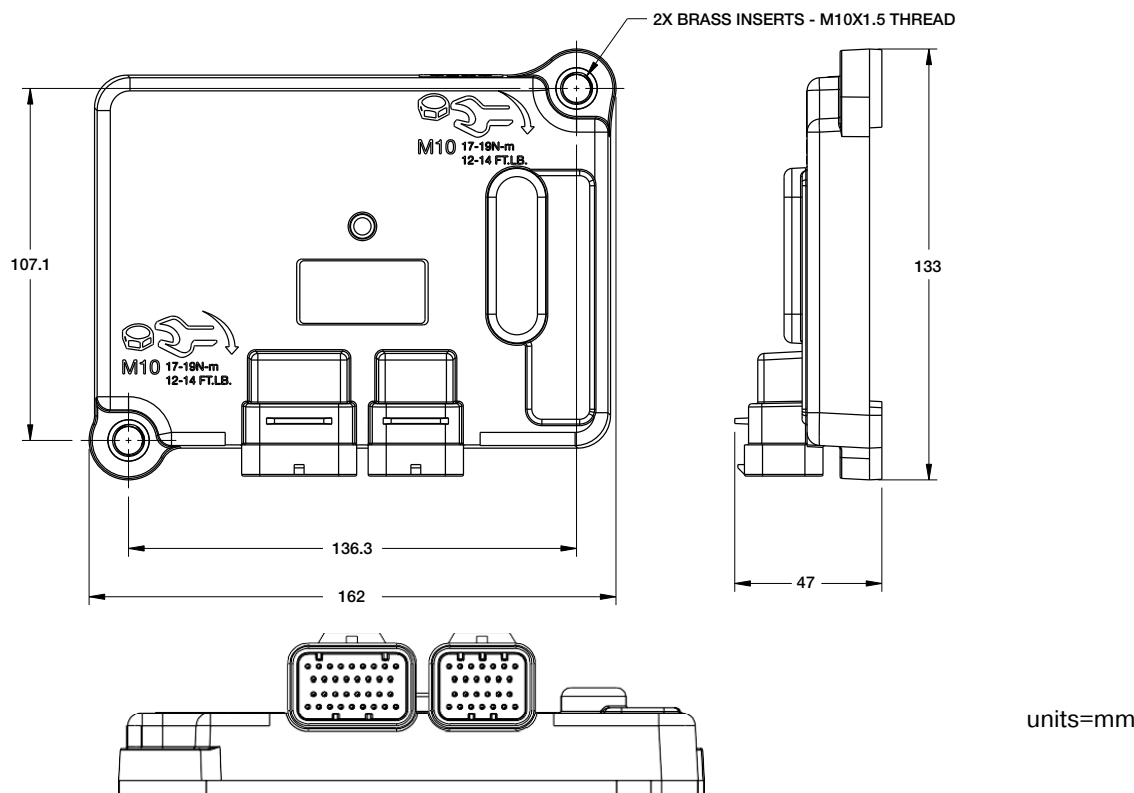


General	
Weight	0.46 kg
Operating Temperature	-40°C to +85°C
Storage Temperature	-40°C to +85°C
Electrical	
System Voltage	12 V
Operating Voltage	9 V to 16 V
Micro Core Capabilities	
Micro Type	STM32F407 (Cortex M4 based)
Flash Size	1024 kB
RAM Size	192 kB
EEPROM Size	8 kB (Upgradeable to 128 kB) plus 256 Bytes of Product Information
3 axis Accelerometer	(Optional)
Real Time Clock	(Optional)
Communication Channels	
CAN (SAE J1939)	2
RS232	1 (optional, part of Configurable Inputs/Outputs)
Configurable Inputs *	Maximum of 27 inputs
Analog Inputs	Up to 16 (Input Load: 16-Analog, 8-Resistive, 4-Frequency)
Digital Inputs	Up to 21 (Input Load: 21-Active High, 9-Active Low, 3- Wake Up)
Outputs	
High Side Outputs – PWM capable	8
Max Continuous Load	3.4 A
Max PWM Frequency	300 Hz
High Side Outputs – Digital	8
Max Continuous Load	350 mA
Low Side Outputs – Type 1	6
Max Continuous Load	2.5 A
+5V Sensor Supply	2 (5V and/or 8V at 75 mA max current)
Maximum Module Current	15 A
Mechanical	
Enclosure Material	Plastic
Connector Type	1 x 34 pins, 1 x 26 pins, 60 pins total AMP Super Seal
Mounting Method	2 x M10-1.5 bolts

Software	
Software Environment Platform Framework	Provides the application developer with the drivers required to access the hardware
Software Development Kit (SDK)	Provides the interface between the platform framework and the application software
Application software	Matlab Simulink (can be developed by the OEM or Parker)
Environment	
Humidity (soak)	ANSI/ASAE EP455 DEC 1990 (R2008) section 5.13.2
Humidity (cyclic)	ANSI/ASAE EP455 DEC 1990 (R2008) section 5.13.1
Dust/Water Ingress Protection	IP67 and IP69K
Salt Spray	MIL-STD-202G Method 101E condition B
Shock	ANSI/ASAE EP455 Dec 1990 (R2008) Section 5.14.1
Random Vibration	BS EN7691:1994 section 6.6.1 severity level 3
ESD	ISO 10605:2008(E) section 8.3 and 9.3
EMC	
Susceptibility	ISO 13766 2006 section 5.8.2
Emissions	ANSI/ASAE EP455 DEC1990 (R2008) section 5.16.3.1
Ordering	
Ordering Part Number	1028053ECD *

* - depending on PCB stuffing options, all features may not be available.

Dimensions



units=mm

Parker Hannifin Canada
 Electronic Motion & Controls Division
 1305 Clarence Avenue
 Winnipeg, MB, R3T 1T4 Canada
 phone 204 452 6776
 www.parker.com/emc

